

# ROLLTRAK

DOOR & WINDOW SPECIALISTS

## KNOCKDOWN STEEL & GLASS BARN DOOR

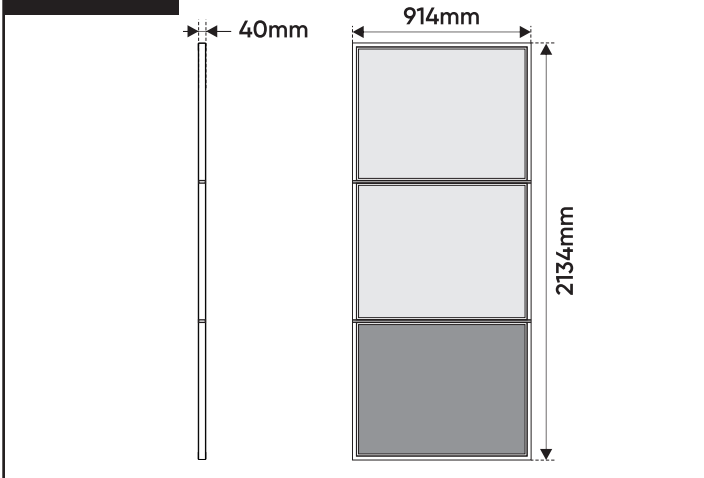
Model Number:

RDAS036/RDAS037

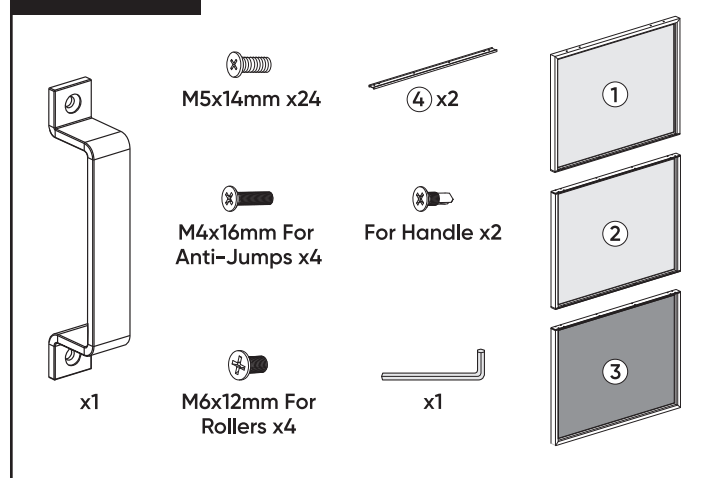
Tools required:

Drill, tape measure, level, pencil, phillips head screwdriver, 10mm spade bit and 8 - 10mm drill bit.

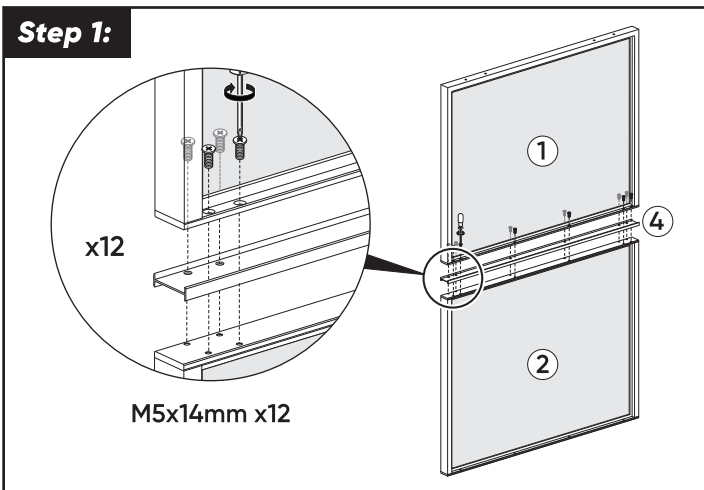
### DIAGRAM:



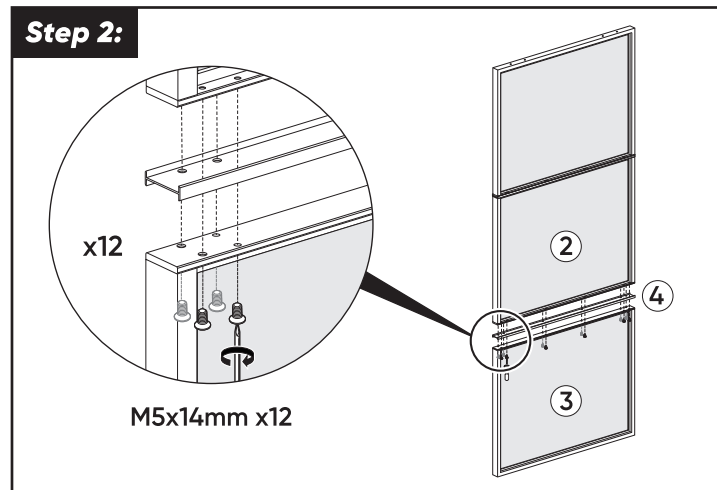
### CONTENTS:



### Step 1:

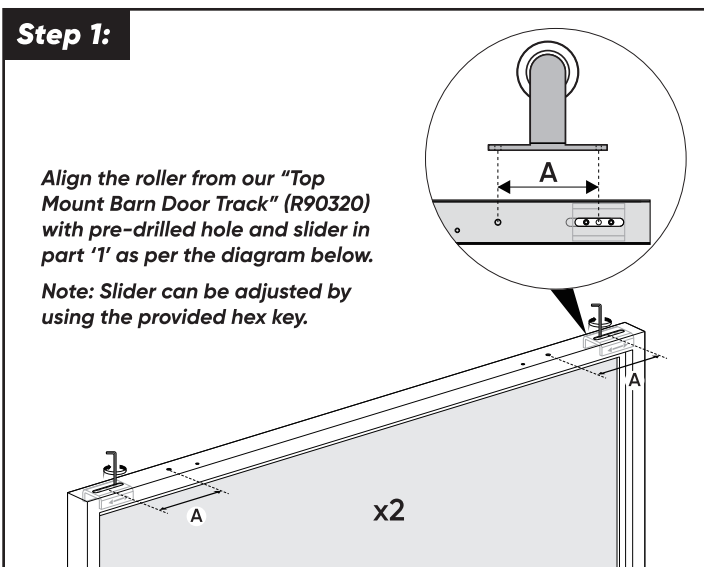


### Step 2:

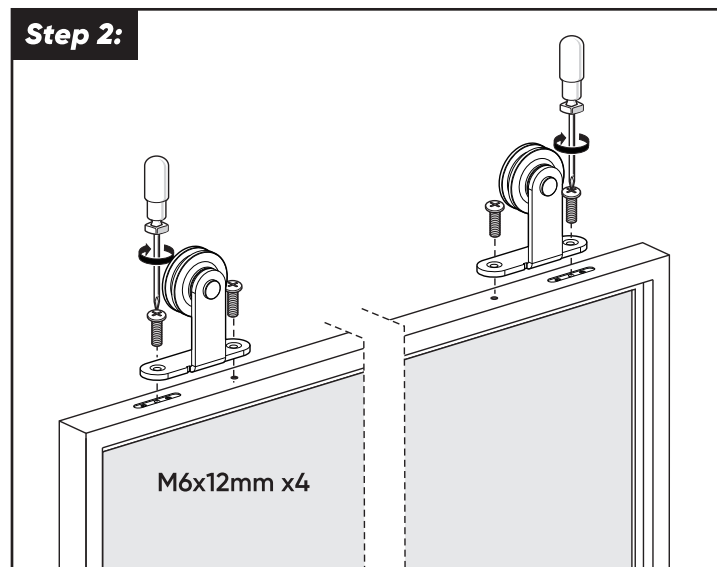


**PLEASE REFER TO R90320 FOR COMPLETE BARN DOOR TRACK ASSEMBLY INSTRUCTION**

### Step 1:



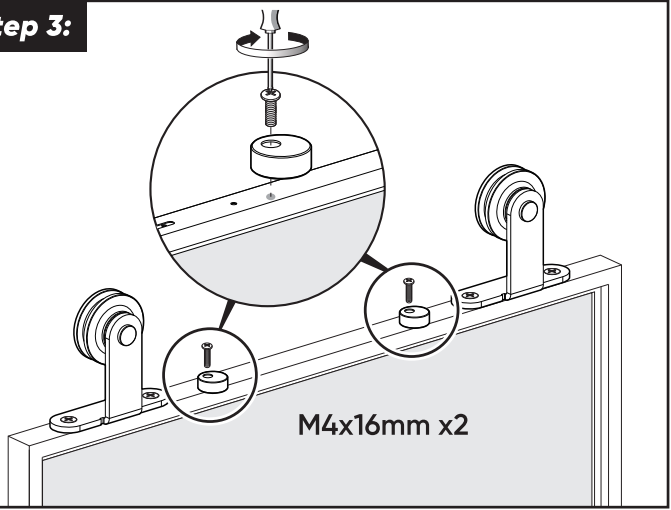
### Step 2:



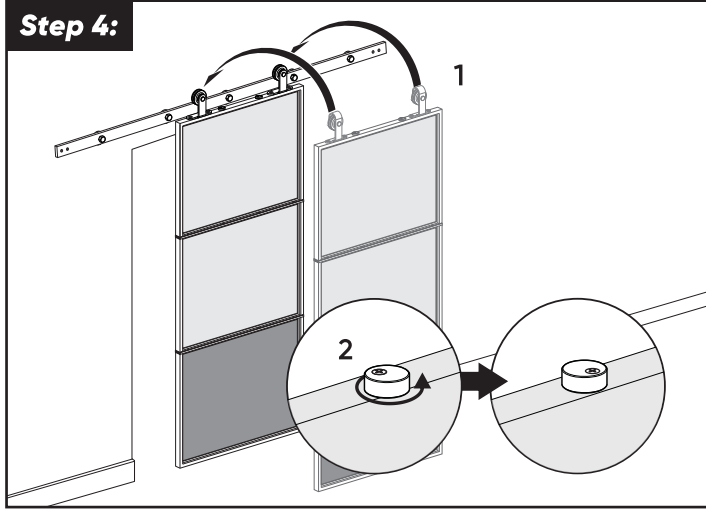
### Warranty:

Any claim under this warranty must be made within 12 months of the date of purchase of the product. To make a claim under this warranty, take the product (with proof of purchase) to any Bunnings store (for AUS customers see [www.bunnings.com.au](http://www.bunnings.com.au) and for NZ customers see [www.bunnings.co.nz](http://www.bunnings.co.nz) for store locations). Rolltrak bears reasonable, direct expenses of claiming under the warranty. You may submit details and proof of purchase to our support centre for consideration. The warranty covers manufacturer defects in materials, workmanship and finish under normal use. This warranty is provided in addition to other rights and remedies you may have under law: Our goods come with guarantees that cannot be excluded under the Australian consumer law or Consumer Guarantees Act 1993 (NZ). You are entitled to a replacement or refund for a major failure and compensation for any other reasonably foreseeable loss or damage. You are also entitled to have the goods repaired or replaced if the goods fail to be of acceptable quality and the failure does not amount to a major failure. This warranty excludes damage resulting from product misuse or product neglect, any modifications, additions or alterations to the product. Additions or modifications can compromise the structure and safety of the product. This warranty covers domestic use only and does not apply to commercial applications. This warranty is given by Rolltrak, ABN 61 633 046 106, 25-39 Australand Drive, Berrinba QLD 4117, 1800 623 203. Email: [support@rolltrak.com.au](mailto:support@rolltrak.com.au). Products sold in New Zealand are imported by Bunnings New Zealand. 'Rolltrak' is a trademark. © Rolltrak Spares Pty Ltd. Suitable for model numbers RDAS036 and RDAS037.

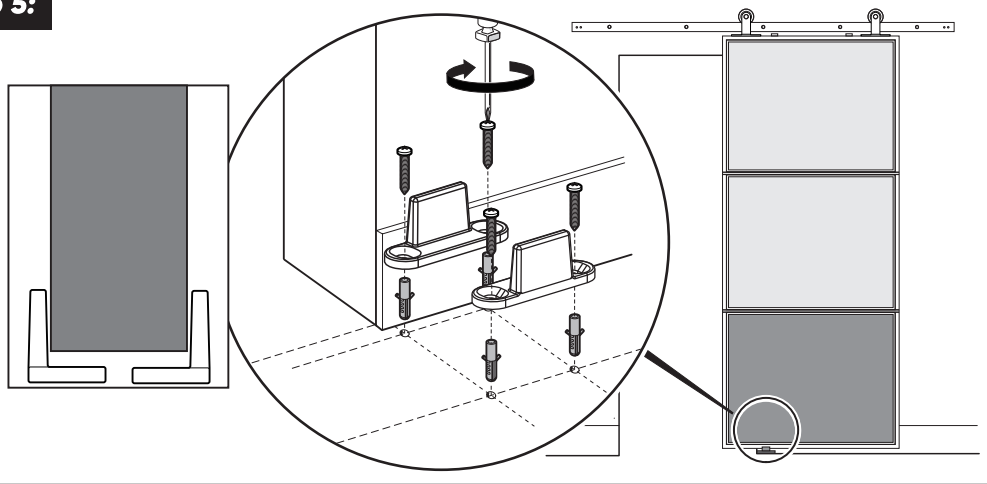
**Step 3:**



**Step 4:**



**Step 5:**




**PLEASE NOTE!**

**MASONRY FLOORS:**

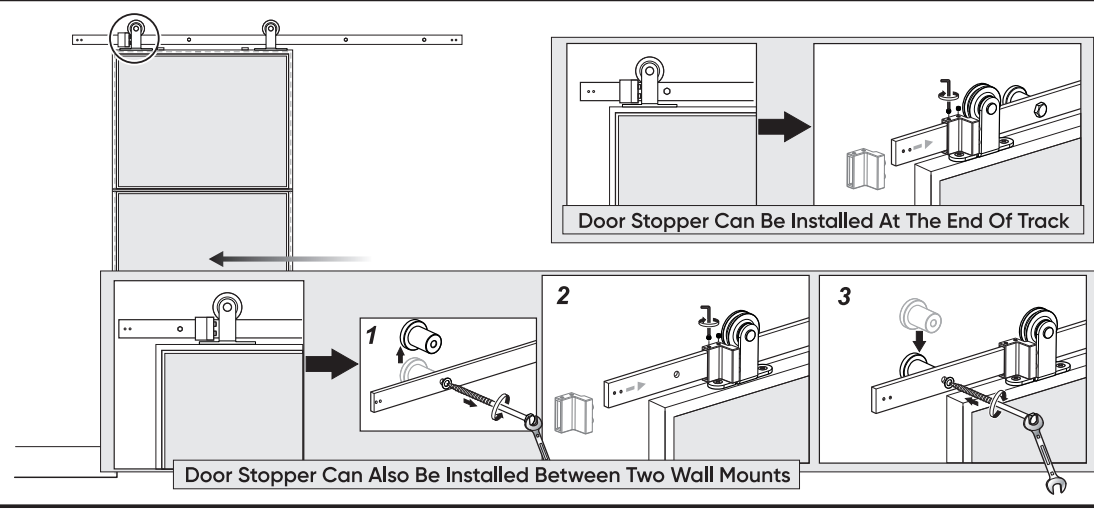
40mm  
Ø8

**TIMBER FLOORS:**

40mm  
Ø2.5

 8mm plug NOT required for timber floors

**Step 6:**



**Step 7:**

