

ROLLTRAK

DOOR & WINDOW SPECIALISTS

2000MM BIG WHEEL BARN DOOR TRACK SET - SIDE MOUNT

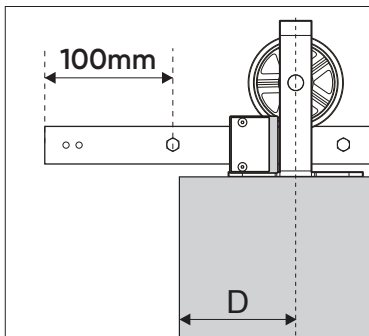
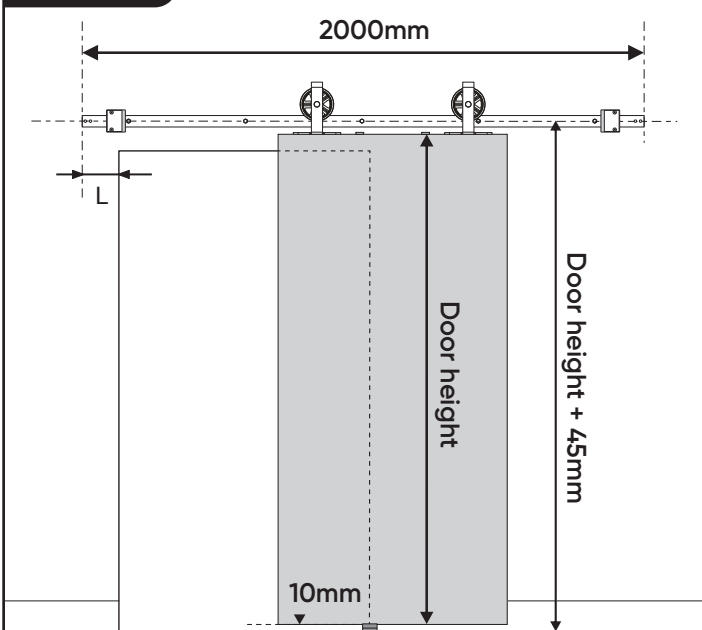
Model Number:

RDAS033

Tools required:

Drill, tape measure, level, pencil, phillips head screwdriver, 2.5mm, 3.2mm, 4mm & 6mm high speed steel drill bit, 8mm & 10mm masonry drill bit.

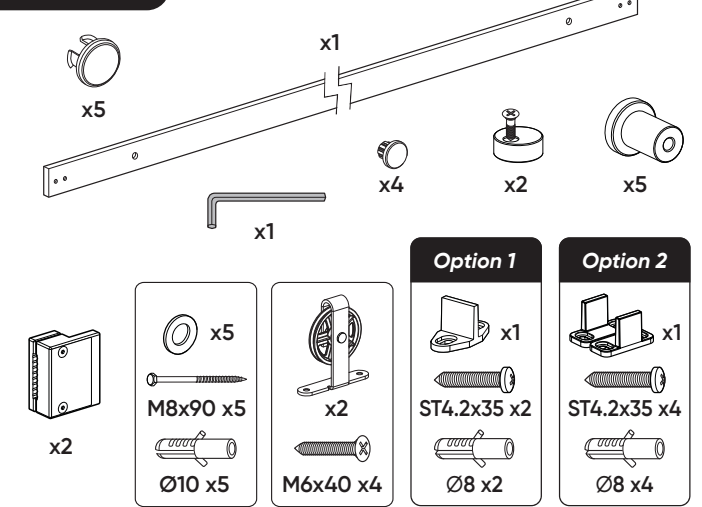
Diagram:



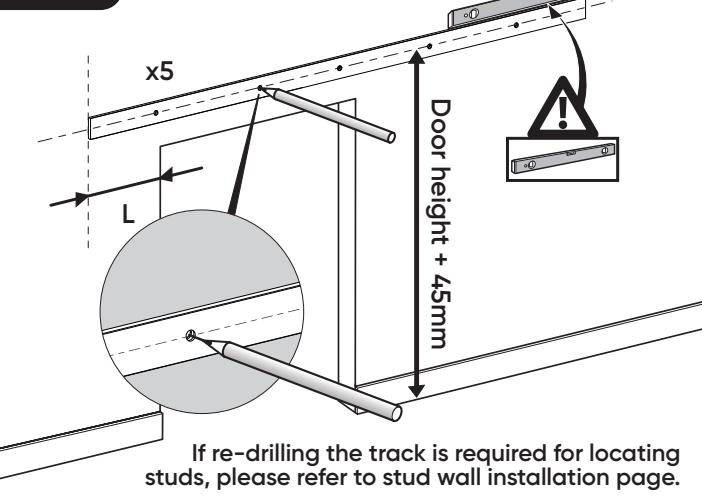
D	L
100mm	105mm
150mm	65mm

Note: The door size should be a suitable height & width to cover the opening.

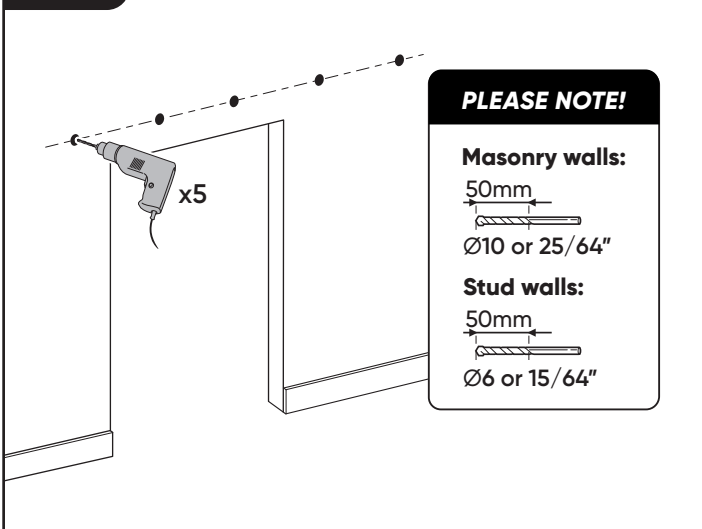
Contents:



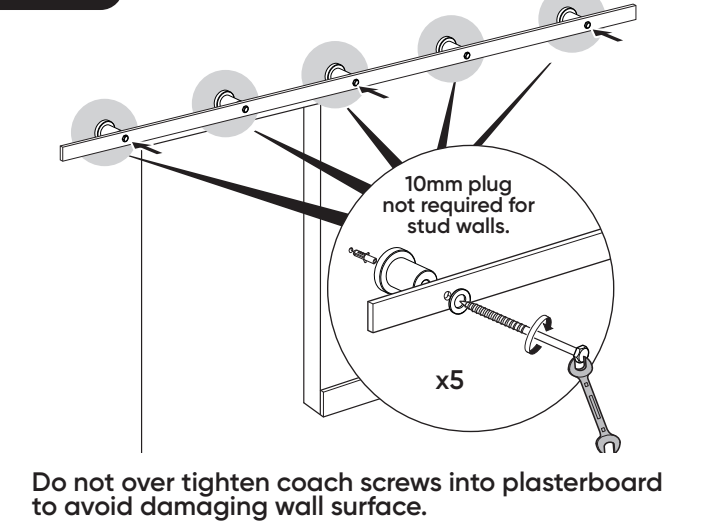
Step 1:



Step 2:



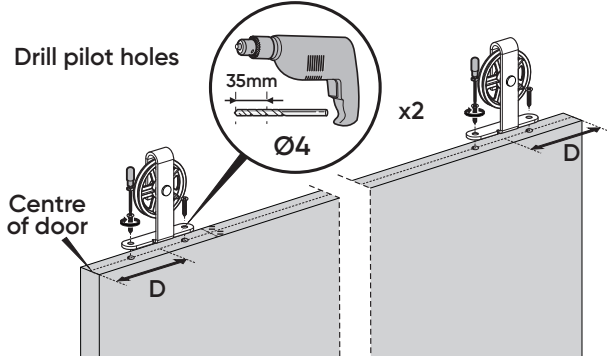
Step 3:



Warranty:

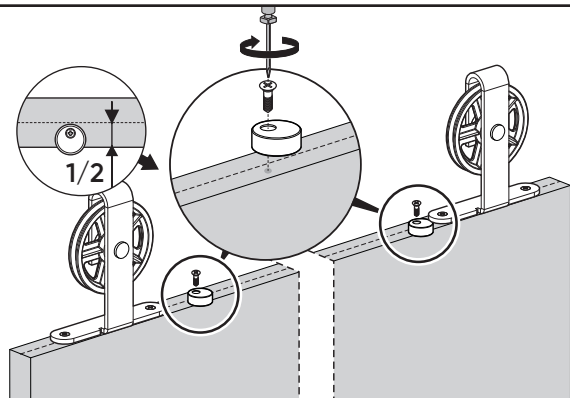
Any claim under this warranty must be made within 12 months of the date of purchase of the product. To make a claim under this warranty, take the product (with proof of purchase) to any Bunnings store (for AUS customers see www.bunnings.com.au and for NZ customers see www.bunnings.co.nz for store locations). Rolltrak bears reasonable, direct expenses of claiming under the warranty. You may submit details and proof of purchase to our support centre for consideration. The warranty covers manufacturer defects in materials, workmanship and finish under normal use. This warranty is provided in addition to other rights and remedies you may have under law. Our goods come with guarantees that cannot be excluded under the Australian consumer law or Consumer Guarantees Act 1993 (NZ). You are entitled to a replacement or refund for a major failure and compensation for any other reasonably foreseeable loss or damage. You are also entitled to have the goods repaired or replaced if the goods fail to be of acceptable quality and the failure does not amount to a major failure. This warranty excludes damage resulting from product misuse or product neglect, any modifications, additions or alterations to the product. Additions or modifications can compromise the structure and safety of the product. The warranty covers domestic use only and does not apply to commercial applications. This warranty is given by Rolltrak, ABN 74 137 583 021, 45-49 Whitfield Boulevard, Cranbourne West Vic 3977, 1800 349 776, Email: support@rolltrak.com.au. Products sold in New Zealand are imported by Bunnings New Zealand. 'Rolltrak' is a trademark. © Rolltrak Spares Pty Ltd. Suitable for model number RDAS004.

Step 4:



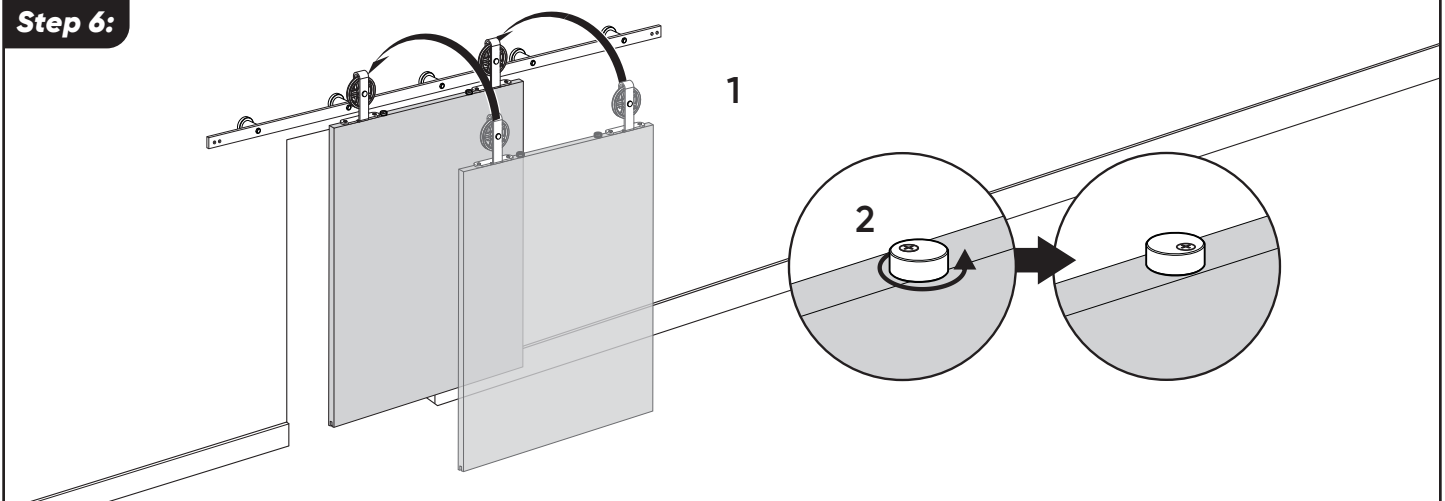
Note: Timber door should be 35-45mm thick.

Step 5:

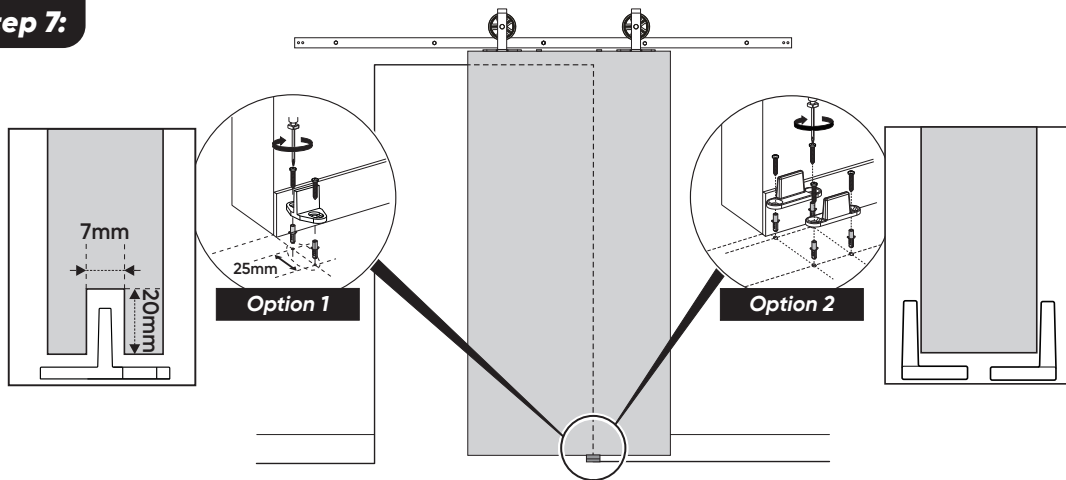


Screw the anti-bounce guide over the edge as shown above. After installing the door, rotate them to fit flush with the door. See Step 6.

Step 6:



Step 7:



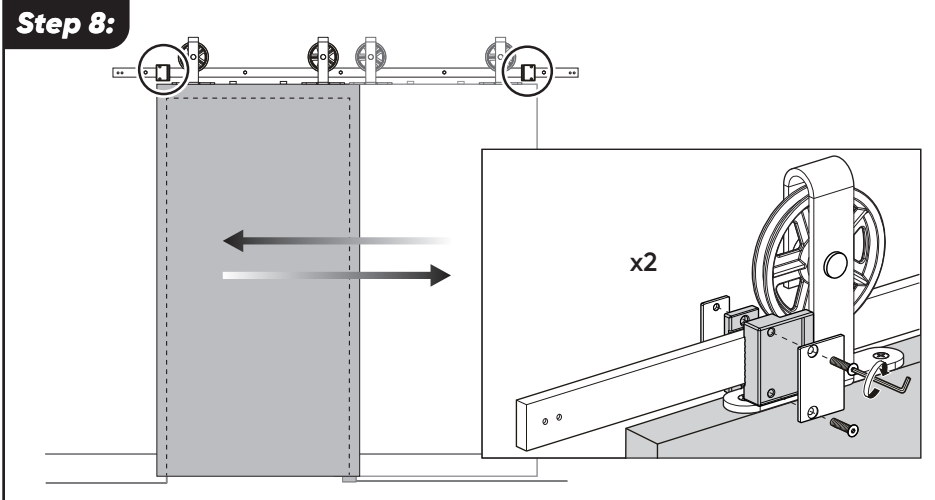
PLEASE NOTE!

Masonry Floors:
40mm
Ø8 or 5/16"

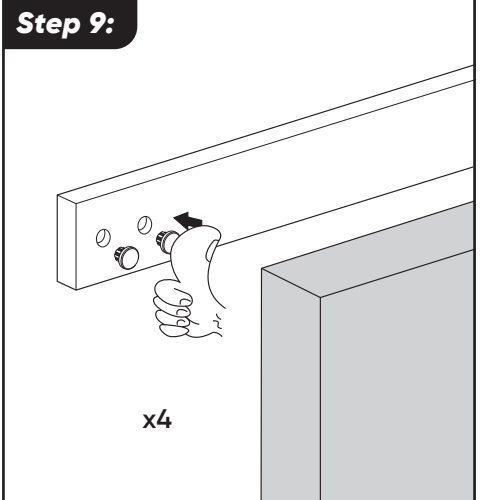
Timber Floors:
50mm
Ø2.5 or 3/32"

8mm plug NOT required for timber floors

Step 8:



Step 9:



STUD WALL INSTALLATION:

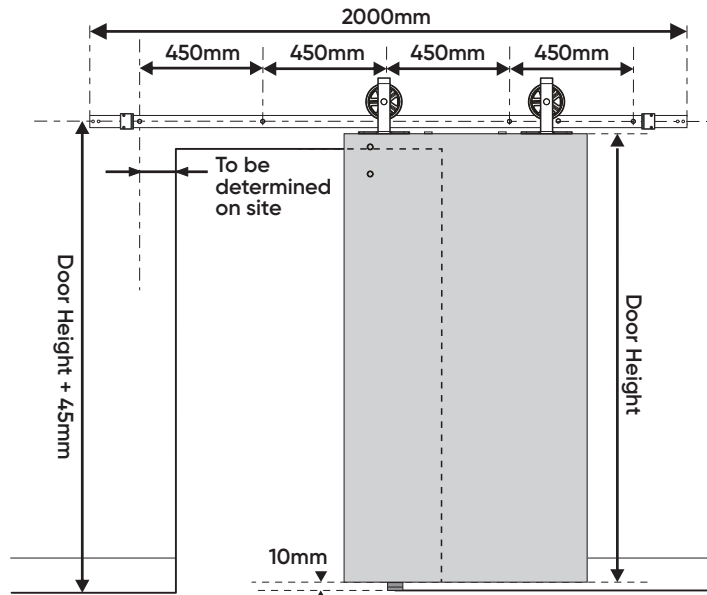
! IMPORTANT:

- The track is supplied with pre-drilled 450mm hole spacings.
- If you have a stud wall, you will need to ensure that you fix the track to the studs. This may require re-drilling the track.
- Screwing into gyproc or cladding may not support the weight of the door.

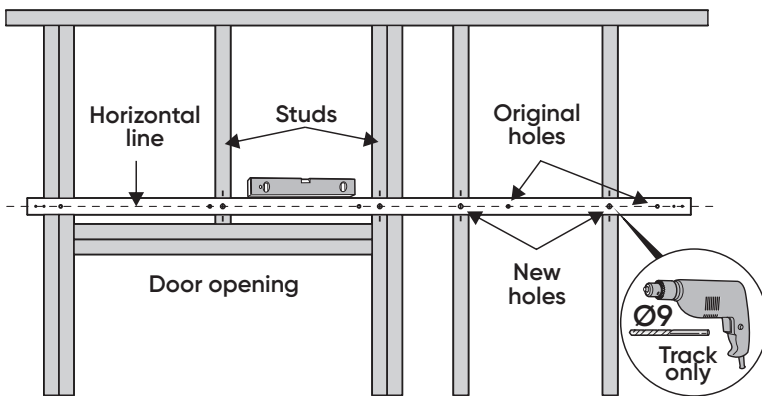
Step 1:

Positioning the track:

Locate the position of your track. Ensuring the track is level, mark the holes on the wall with a pencil. This will give you a horizontal guide.



Step 2:



Locating studs & re-drilling the track:

Using a stud finder, find and mark the centres of the studs along that horizontal line.

Note: The track should be evenly supported by the studs.

Reposition and mark the new stud centres on the track. Remove the track.

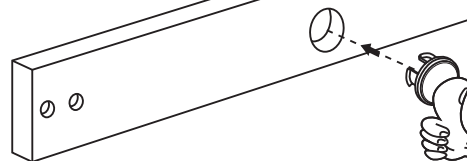
Align a straight edge along the centre of the Mark the new stud holes along that centre line.

Carefully pilot the new holes in the track with a 3.2mm or 1/8th drill. Then drill the pilot holes using a 9mm drill bit.

Step 3:

Insert blanking plugs:

Using the 9mm plastic blanking plugs provided, plug the holes that will not be used to mount the track to the wall.



SCAN TO WATCH
INSTALLATION VIDEO:



CONNECT WITH US!
ROLLTRAK.COM.AU