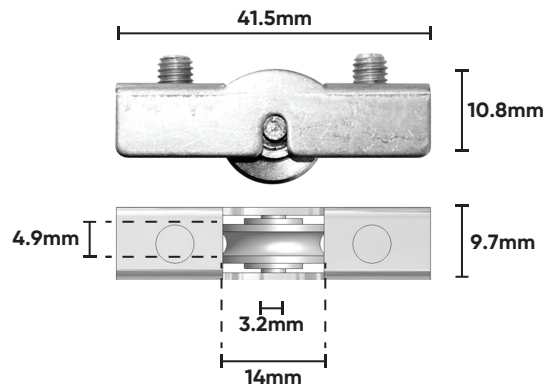


1:1 Scale Product Diagram

When printed, this diagram will help identify the replacement part you need. Place your old product over the below diagram to confirm you have the correct product.

Important: When printing, ensure "actual size" is checked in settings before printing. To ensure dimension accuracy, measure the printed green and white scale bar below the product diagram.

Carriage & Roller Stainless Steel 14mm



1:1 scale at A4 size