

ROLLTRAK

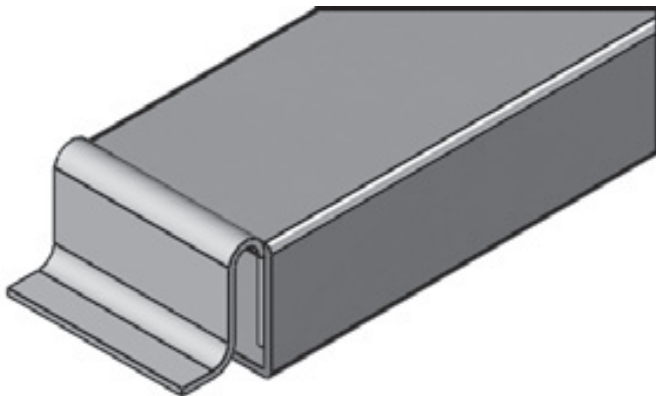
DOOR & WINDOW SPECIALISTS

FLYSCREEN CROSS BRACE CLIP

Model Number:

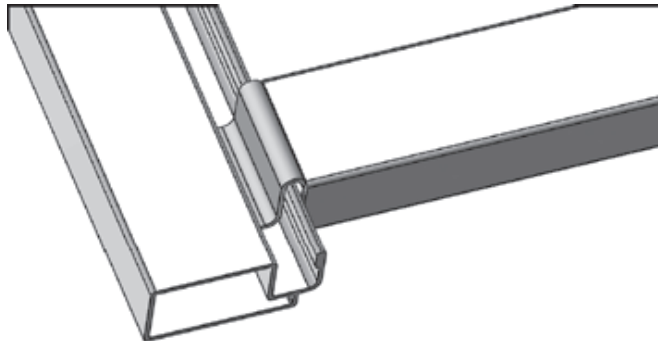
R3660 & RFSR002

Step 1



Insert clip into flyscreen cross brace.

Step 2



Clip the end over the screen channel. Add flyscreen and spline.



**SCAN FOR INSPIRATION
AND HANDY TIPS:**



**CONNECT WITH US!
ROLLTRAK.COM.AU**