

ROLLTRAK

DOOR CLOSER - BLACK

DOOR & WINDOW SPECIALISTS

Model Number:

R3565BLK

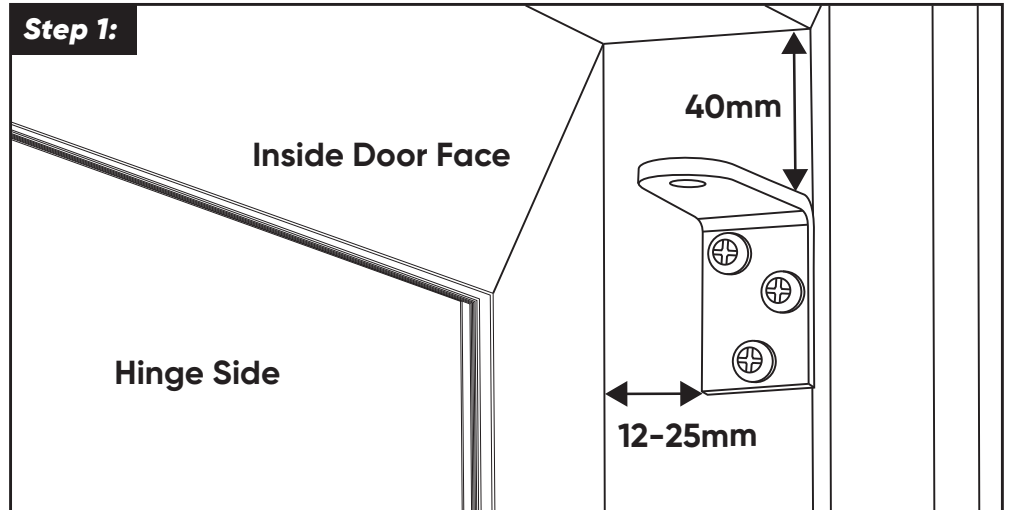
Tools required:

Drill, tape measure, pencil, phillips head and flat-headed screwdriver, pliers and 4mm drill bit.

Contents:

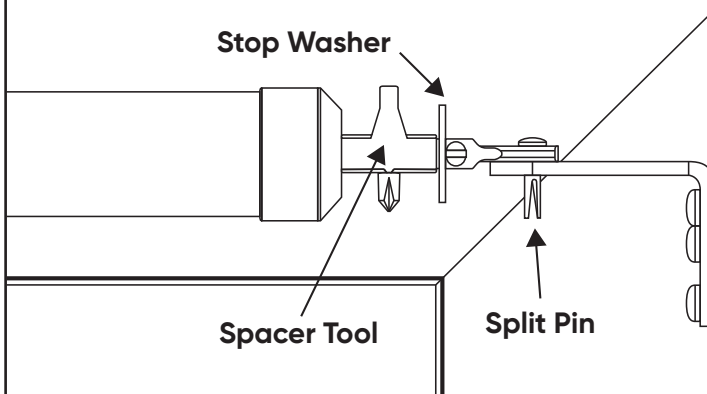
- 1 x Door closer & rod
- 1 x Jamb bracket
- 1 x Split pin
- 3 x 25mm x 10g self-tappers
- 2 x 19mm x 10g self-tappers
- 1 x Spacer / adjustment tool
- 1 x Stop washer

Step 1:



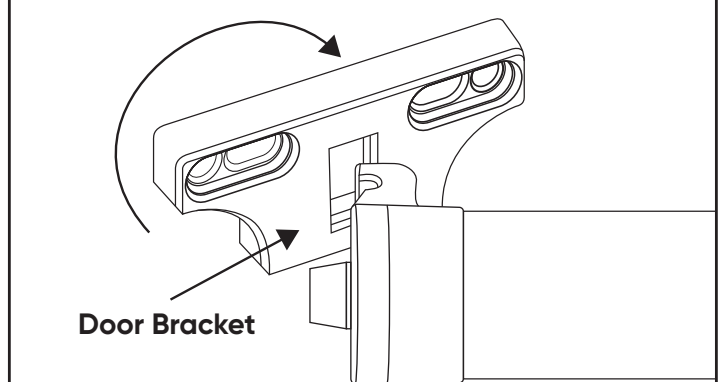
Fasten the jamb bracket 12-25mm from the inside of the door face on the hinge side and 40mm down from the top of the door jamb, with the 25mm self-tapping screws, as shown.

Step 2:



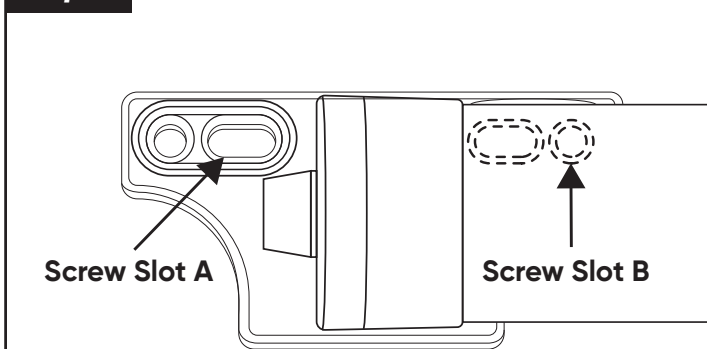
Place the stop washer over the rod, pull out the rod and insert spacer tool. Fit rod onto the jamb bracket and insert the split pin. Do not deform the pin. Do not remove the spacer tool yet.

Step 3:



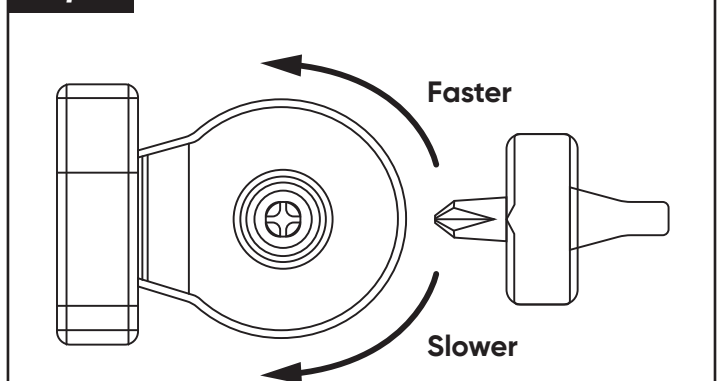
Insert the door bracket onto the closer's foot and straighten. Close and latch the door. Swing door closer onto the door and lever.

Step 4:



In the centre of screw slot A, fix the bracket with a 19mm screw. Remove the closer and fasten the other 19mm screw into slot B. Refit the closer.

Step 5:



Open the door and remove the spacer tool. Test the door closing speed. Use spacer tool on the valve screw to adjust the door closing speed. Deform split pin with spacer tool.